

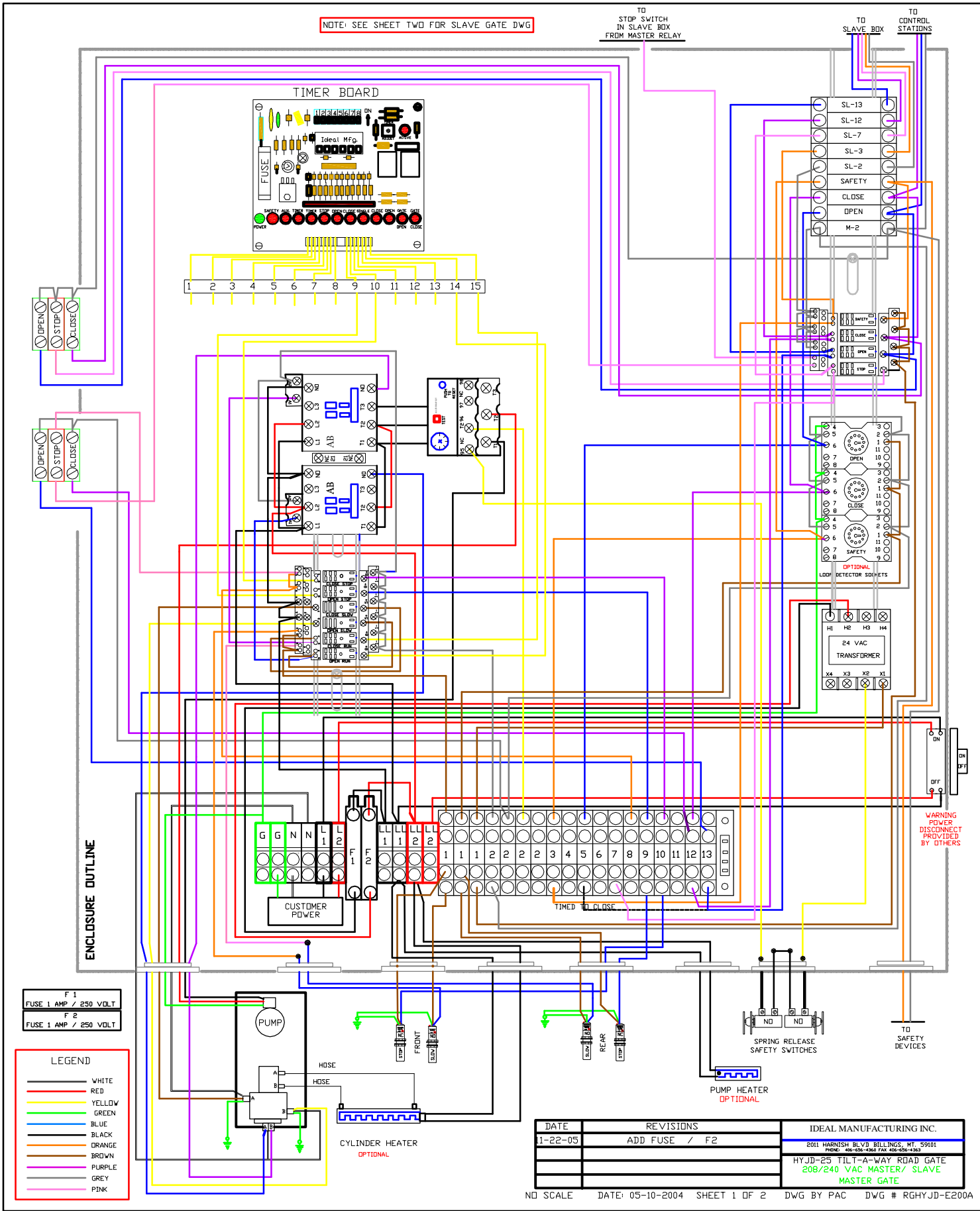
F 1
FUSE 1 AMP / 250 VOLT
F 2
FUSE 1 AMP / 250 VOLT

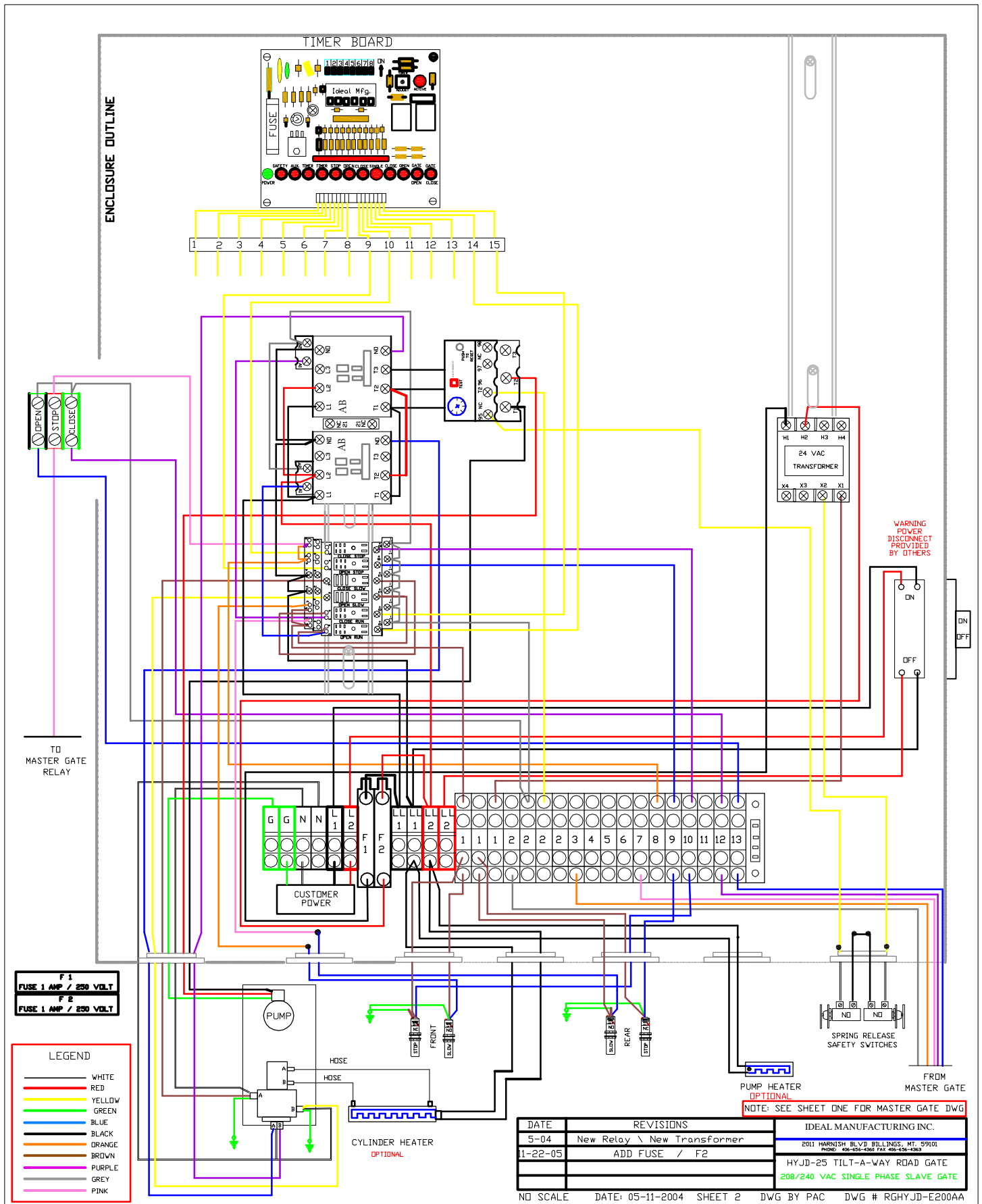
LEGEND

| | |
|---|--------|
| — | WHITE |
| — | RED |
| — | YELLOW |
| — | GREEN |
| — | BLUE |
| — | BLACK |
| — | ORANGE |
| — | BROWN |
| — | PURPLE |
| — | GREY |
| — | PINK |

| DATE | REVISIONS | IDEAL MANUFACTURING INC. |
|-------|-----------------------------|---|
| 5-04 | New Relay \ New Transformer | 2011 HARNISH BLVD BILLINGS, MT. 59101 PHONE: 406-656-4360 FAX 406-656-4363 |
| 11-05 | ADD FUSE BLOCK F2 | HYJD-25 TILT-A-WAY ROAD GATE 208/240 VAC SINGLE PHASE |
| | | |

NOTE: SEE SHEET TWO FOR SLAVE GATE DWG





| DATE | REVISIONS | IDEAL MANUFACTURING INC. |
|----------|-----------------------------|---|
| 5-04 | New Relay \ New Transformer | 2011 HARNISH BLVD BILLINGS, MT 59101 PHONE: 406-254-3360 FAX: 406-254-4363 |
| 11-22-05 | ADD FUSE / F2 | HYJD-25 TILT-A-WAY ROAD GATE 208/240 VAC SINGLE PHASE SLAVE GATE |
| | | |

ND SCALE DATE: 05-11-2004 SHEET 2 DWG BY PAC DWG # RGHYJD-E200AA