

Tilt-A-Way Patriot  
 MODEL PSB M50  
 FOR 23' ALUMINUM BARRIER  
 HYDRAULIC VERTICAL PIVOT GATE  
 20' ROADWAY  
 LEFT HAND INSTALLATION SHOWN  
 RIGHT HAND OPPOSITE

NOTE:  
 IDEAL MFG., INC.  
 RECOMMENDS A 4" TO 6" CONCRETE FOOTING  
 UNDER EACH OF THE BOLLARDS AT THE SAME  
 ELEVATION. BOLLARD FOOTINGS SHOULD BE A MINIMUM  
 OF 48" BELOW FINISHED GRADE OF ROADWAY.  
 THIS WILL HELP TO INSURE THAT  
 THE BOLLARDS ARE PLUM AND LEVEL.  
 HOLES HAVE BEEN PROVIDED IN BASE PLATES  
 OF BOLLARDS TO HELP IN SECURING BOLLARDS TO FOOTINGS  
 WITH ANCHOR BOLTS (NOT INCUDED).

**EXTREME CARE SHOULD BE TAKEN WHEN POURING CONCRETE  
 TO INSURE BOLLARDS DO NOT MOVE.**

NOTES:  
 CONCRETE 3000 PSI MIN.

#4 REBAR GRADE 40 OR GRADE 60.

#3 REBAR GRADE 40 OR GRADE 60.

THE FOUNDATION SHALL BE POURED ON UNDISTURBED SOIL, OR  
 CONTROLLED AND COMPACTED FILL TO A DENSITY OF NOT LESS  
 THAN 90% MAXIMUM DRY DENSITY IN ACCORDANCE WITH TEST  
 METHODS D 1556 AND D 2922 AND AASHTO METHOD OF TEST T099.

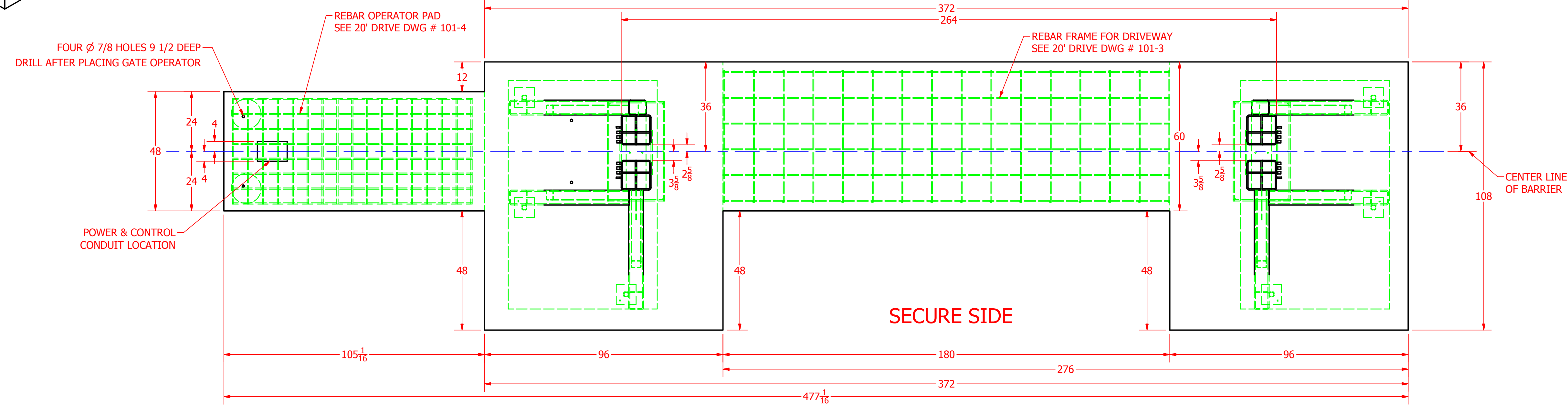
THE EARTH MAYBE USED FOR THE FORMS FOR SIDES.

STANDING WATER IN THE EXCAVATION SHALL BE REMOVED  
 PRIOR TO POURING THE FOUNDATION.

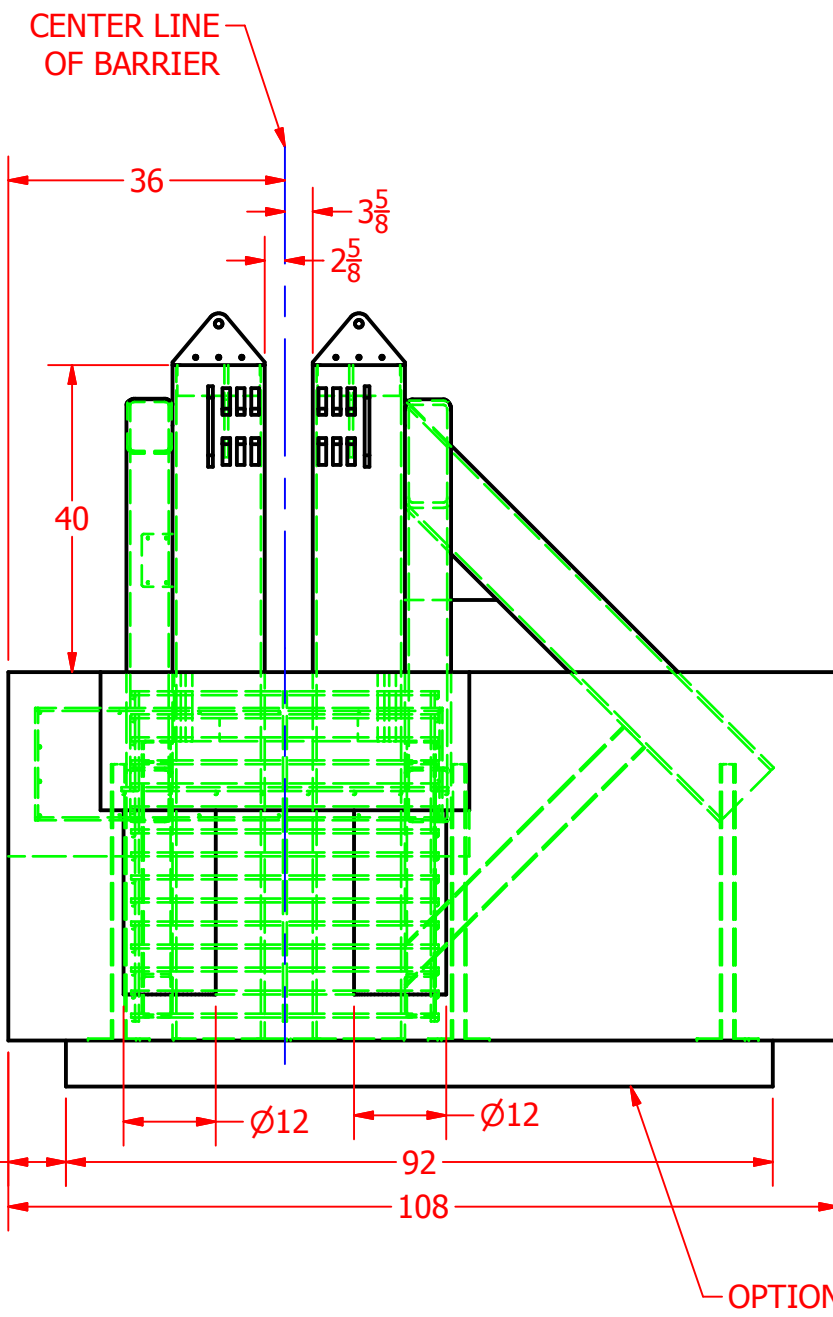
TOLERANCE ON BOLLARD PLACEMENT ± 1/16".

**NOTE: ALL FOUNDATIONS MUST BE  
 AT THE SAME ELEVATION.  
 FLAT AND LEVEL.**

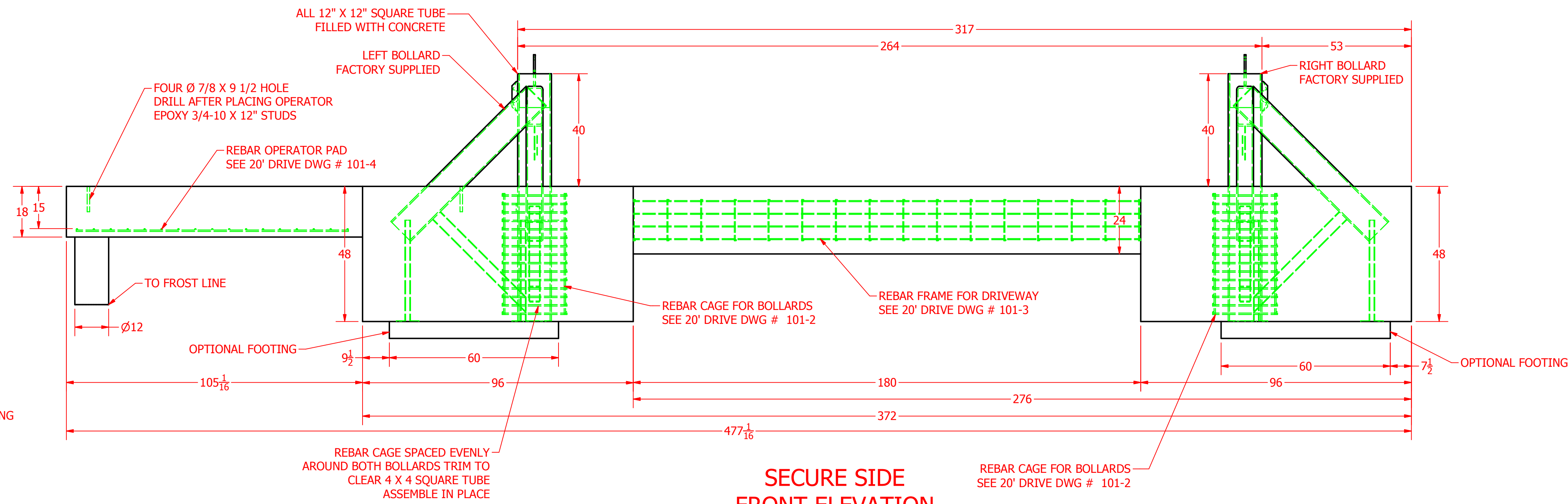
PUBLIC SIDE  
 TOP ELEVATION



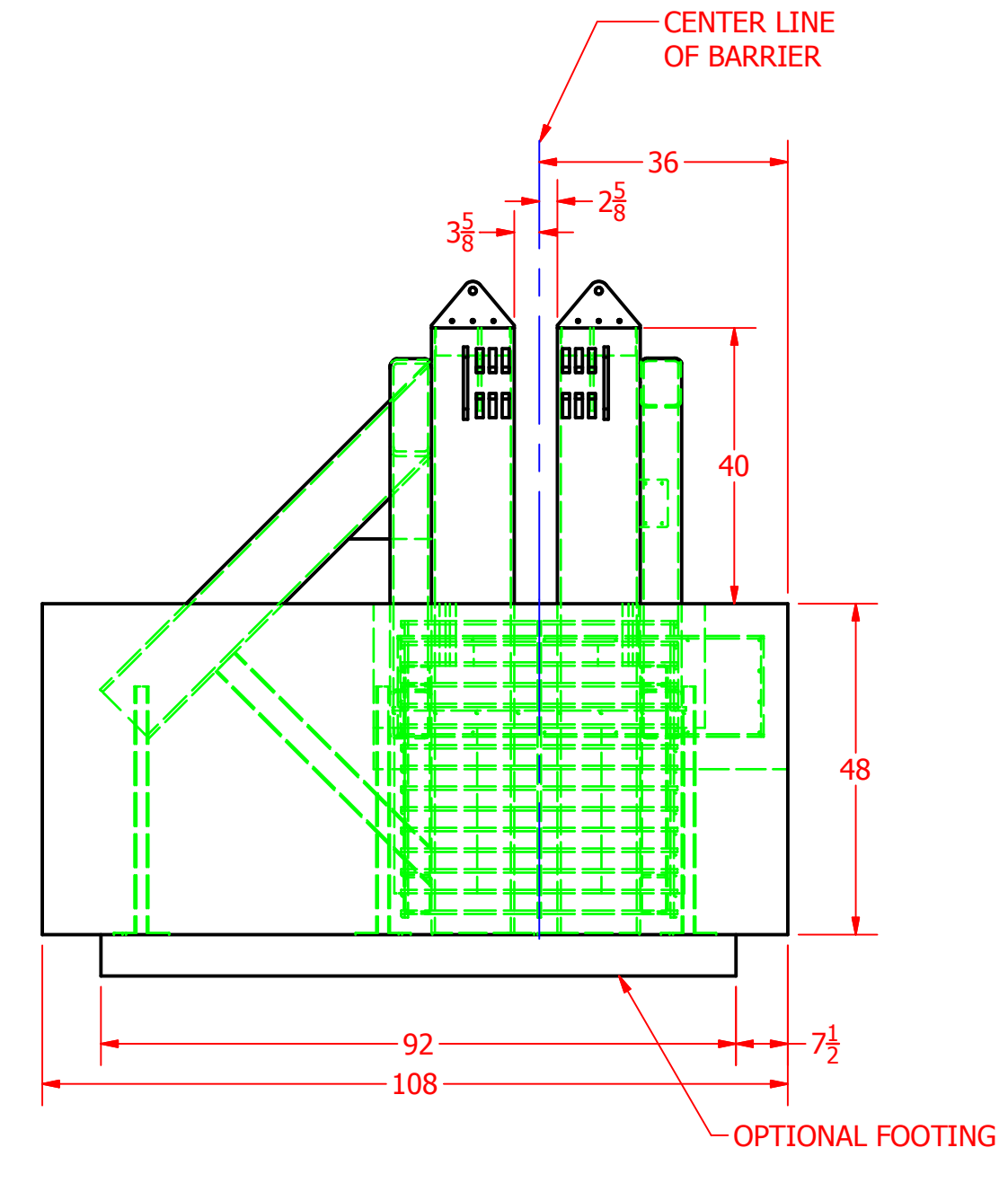
SECURE SIDE



LEFT ELEVATION



SECURE SIDE  
 FRONT ELEVATION



RIGHT ELEVATION

PROPRIETARY INFORMATION  
 IDEAL MFG., INC.  
 BILLINGS MONTANA  
 THIS INFORMATION CONSTITUTES  
 A TRADE SECRET OF IDEAL MFG., INC.

DRAWN	THenry	9/2/2010	IDEAL MFG., INC.	
CHECKED		9/24/2010	TITLE	
QA			PSB M50 CONCRETE AND BOLLARDS	
MFG			20' DRIVE WAY	
APPROVED			SIZE	DWG NO
			Custom Size (inches)	20' DRIVE DWG # 101-1
			SCALE	SHEET 1 OF 4